

PA-1000 Series Pressure Transmitters

Overview

PA-1000 series pressure transmitters are very reliable at low cost and high quality. With small size, light weight and compact structure, this series are widely used in civil and industrial pressure measurement, such as compressor, automotive engine, air conditioning, etc.

This series feature a high-quality 304 stainless steel structure, German pressure core and sensor chip. It can output highly accurate standard current signals or pressure signals via digital calibration and compensation technology and two-wire system wiring mode. Multiple pressure connectors are optional to meet different needs of customers.

Model information

Model	Pressure range	Pressure adaptor	Electric joint	Cable
PA-1000-FS3-A-X1	-1~16 bar	7/16-20UNF-2B Female thread with ejector pin	Mini DN43650 connector	No
PA-1001-FS3-A-X1	-1~40 bar	7/16-20UNF-2B Female thread with ejector pin	Mini DN43650 connector	No
PA-1002-FS3-A-X1	-0.5~11 bar	7/16-20UNF-2B Female thread with ejector pin	Packard connector	1.5m cable with Packard connector
PA-1003-FS3-A-X1	-0.5~11 bar	7/16-20UNF-2AMale thread	Packard connector	1.5m cable with Packard connector
PA-1004-FS3-A-X1	0~30 bar	7/16-20UNF-2B Female thread with ejector pin	Packard connector	1.5m cable with Packard connector
PA-1005-FS3-A-X1	0~30 bar	7/16-20UNF-2AMale thread	Packard connector	1.5m cable with Packard connector
PA-1006-FS3-A-X1	-0.5~7 bar	7/16-20UNF-2AMale thread	Packard connector	1.5m cable with Packard connector

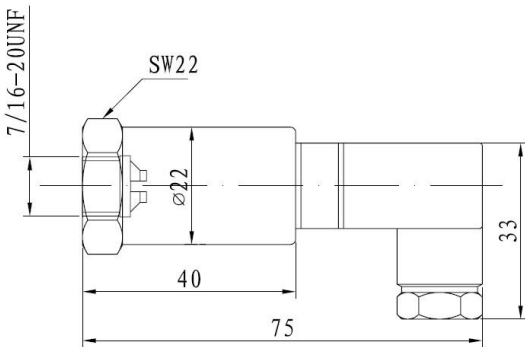
Features

- $\pm 1\%$ FS
- High stability & reliability
- German ceramic core
- Digital calibration
- Mini DN43650 or Packard connector
- RoHS compliant

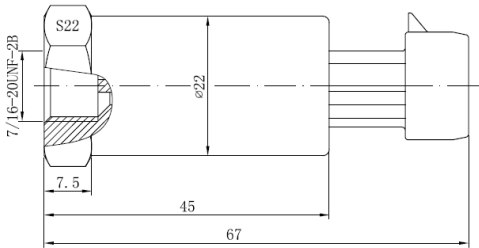
Application

- Compressor
- Water supply for buildings
- Hydraulic control
- Air conditioning unit
- Automotive engine
- Automated test system
- Hydraulic station
- Refrigeration equipment

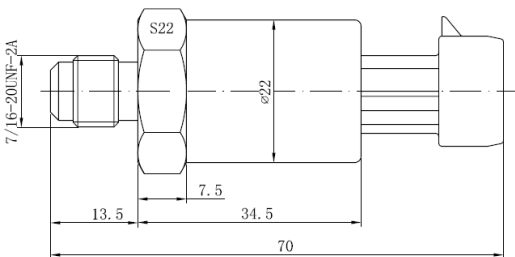
Dimension



(a) Pressure adaptor: 7/16-20UNF-2B
internal thread with ejector pin
Electric joint: Mini DN43650 connector



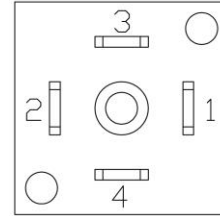
(b) Pressure adaptor: 7/16-20UNF-2B
internal thread with ejector pin
Electric joint: Packard connector



(c) Pressure adaptor: 7/16-20UNF-2A
external thread
Electric joint: Packard connector

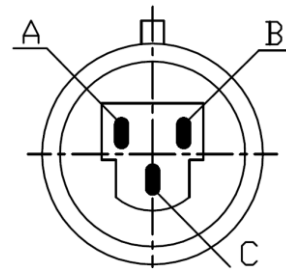
Electric joint

(a) Mini DN43650 connector



Pin	Definition	Cable
1	Power (Vcc)	No
2	Output (Signal)	
3	Not connected (NC)	
4	Shield	

(b) Packard connector (quick connector)



Pin	Definition	Cable
A	Shield	
B	Power (Vcc)	Red
C	Output	Green

Technical parameters

Parameter	Value
Overload pressure	1.5 x rated pressure (1.5X)
Breakdown pressure	3 x rated pressure (3X)
Accuracy	±0.5%F.S(15~25℃), ±1%F.S(0~65℃)
Non-linearity	0.2%FS
Compatible medium	All the corrosive media compatible with 1Cr18Ni9Ti and ceramics
Wiring mode	2 wire
Output signal	4~20mA
Power supply	24(8~36)Vdc
Insulation resistance	>100MΩ@500V
Operating temperature	-40~100℃
Vibration/Shock	10g/5~2000Hz, axes X/Y/Z20g sine 11ms
Durability	2×10 ⁶ pressure cycle @25℃
Stainless steel type	304 stainless steel
Pressure type	Gauge pressure G
Response time	10ms
Certification	RoHS, CE
EMC	Emission: EN50081-1/-2; sensitivity: EN50082-2

Note: 1MPa=10bar
 1bar≈14.5PSI
 1PSI=6.8965kPa
 1kgf/cm²=1 atmospheric pressure
 1 atmospheric pressure≈98k

Name label

1、PA-1000-FS3-A-X1

Pressure Transmitter	Elitech®
Model: PA-1000-FS3-A-X1	Range: -1~16Bar
Power Supply: 8~36VDC	Accuracy: 1.0%F.S
http://www.e-elitech.com	S/N: XXXXXXXXX
Jiangsu Jingchuang Electronics Co.,Ltd ROHS	

2、PA-1001-FS3-A-X1

Pressure Transmitter	Elitech®
Model: PA-1001-FS3-A-X1	Range:-1~40Bar
Power Supply: 8~36VDC	Accuracy: 1.0%F.S
http://www.e-elitech.com	S/N: XXXXXXXXX
Jiangsu Jingchuang Electronics Co.,Ltd ROHS	

3、PA-1002-FS3-A-X1

Pressure Transmitter	Elitech®
Model: PA-1002-FS3-A-X1	Range:-0.5~11Bar
Power Supply: 8~36VDC	Accuracy: 1.0%F.S
http://www.e-elitech.com	S/N: XXXXXXXXX
Jiangsu Jingchuang Electronics Co.,Ltd ROHS	

4、PA-1003-FS3-A-X1

Pressure Transmitter	Elitech®
Model: PA-1003-FS3-A-X1	Range:-0.5~11Bar
Power Supply: 8~36VDC	Accuracy: 1.0%F.S
http://www.e-elitech.com	S/N: XXXXXXXXX
Jiangsu Jingchuang Electronics Co.,Ltd ROHS	

5、PA-1004-FS3-A-X1

Pressure Transmitter	Elitech®
Model: PA-1004-FS3-A-X1	Range:0~30Bar
Power Supply: 8~36VDC	Accuracy: 1.0%F.S
http://www.e-elitech.com	S/N: XXXXXXXXX
Jiangsu Jingchuang Electronics Co.,Ltd ROHS	

6、PA-1005-FS3-A-X1

Pressure Transmitter	Elitech®
Model: PA-1005-FS3-A-X1	Range:0~30Bar
Power Supply: 8~36VDC	Accuracy: 1.0%F.S
http://www.e-elitech.com	S/N: XXXXXXXXX
Jiangsu Jingchuang Electronics Co.,Ltd ROHS	

7、PA-1006-FS3-A-X1

Pressure Transmitter	Elitech®
Model: PA-1006-FS3-A-X1	Range:-0.5~7Bar
Power Supply:8~36VDC	Accuracy: 1.0%F.S
http://www.e-elitech.com	S/N: XXXXXXXXX
Jiangsu Jingchuang Electronics Co.,Ltd ROHS	

Appearance



Naming rule

PA	-	1000	-	FS(1/2/3)	-	A/V	-	X1
Category		Item No.		FS1=±0.25% FS2=±0.50% FS3=±1.00%		A=4~20mA V=0~5Vdc		Reserved